

The logo for TRB Italy, featuring the letters 'TRB' in a bold, sans-serif font inside a blue oval, with the word 'Italy' in a smaller font to its right.

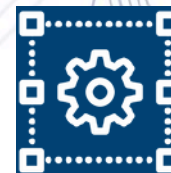
TRB Italy

COMPONENTS FOR
HYDRAULIC CYLINDERS



CATALOGO GENERALE

| PRODOTTI | RANGE |
|---|-----------------|
|  | DA Ø 50 a Ø 210 |
|  | DA Ø 50 a Ø 140 |
|  | DA Ø 50 a Ø 150 |
|  | Max. 50 Kg |
|  | Max. 50 Kg |
|  | Max. 50 Kg |



Produzione su disegno

Realizziamo lotti ripetitivi anche in grande quantità di componenti per cilindri oleodinamici su disegno del cliente.

INDICE

COLLARI

TESTATE DI GUIDA

TESTATE DI GUIDA ALTA PRESSIONE

TESTATA DI GUIDA TUFFANTE

PISTONI

PISTONI FILETTATI

PISTONI FILETTATI ALTA PRESSIONE

FONDELLI ALTA PRESSIONE

FONDELLI FILETTATI



Produzione standard

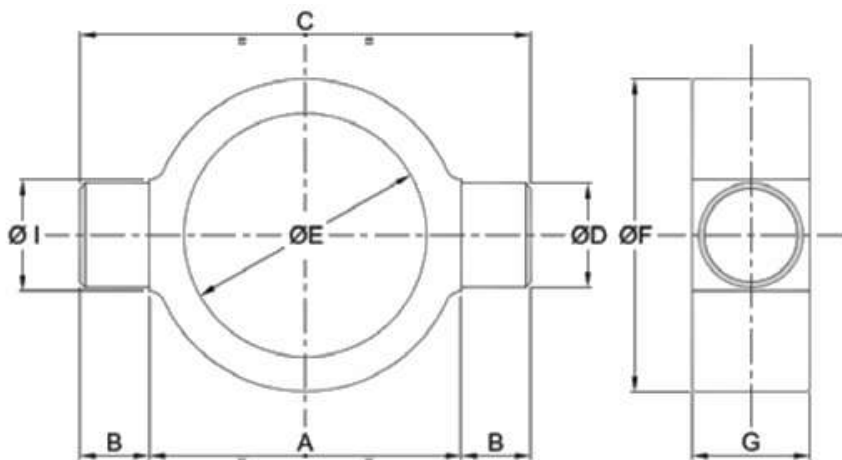
Produciamo in serie componenti standard per cilindri oleodinamici, garantendo qualità, affidabilità e durata.

CL... - COLLARI

INDICE



Materiale: Acciaio ST52.3



| Codice | Ø D | Ø E | A | B | C | Ø F | G | Ø I | Peso Kg |
|----------|-----|-----|-----|----|-----|-----|----|-----|---------|
| CL3040 | 15 | 40 | 50 | 15 | 80 | 50 | 20 | 20 | 0.28 |
| CL3545 | 20 | 45 | 60 | 15 | 90 | 60 | 25 | 22 | 0.31 |
| CL4050 | 25 | 50 | 65 | 15 | 95 | 65 | 30 | 27 | 0.44 |
| CL4550 C | 20 | 50 | 70 | 20 | 110 | 65 | 30 | 30 | 0.51 |
| CL5060 | 30 | 60 | 75 | 20 | 115 | 75 | 35 | 32 | 0.67 |
| CL5060 C | 25 | 60 | 80 | 25 | 130 | 75 | 35 | 35 | 0.7 |
| CL5565 | 30 | 65 | 80 | 20 | 120 | 80 | 35 | 32 | 0.71 |
| CL6070 | 30 | 70 | 90 | 20 | 130 | 90 | 35 | 32 | 0.92 |
| CL6070 C | 30 | 70 | 100 | 30 | 160 | 90 | 45 | 40 | 1.2 |
| CL6373 | 35 | 73 | 95 | 25 | 145 | 95 | 45 | 42 | 1.6 |
| CL6575 | 35 | 75 | 100 | 25 | 150 | 100 | 45 | 42 | 1.65 |
| CL6580 | 35 | 80 | 100 | 25 | 150 | 100 | 45 | 42 | 1.43 |
| CL7080 | 40 | 80 | 105 | 30 | 165 | 105 | 55 | 52 | 1.78 |
| CL7080 C | 35 | 80 | 110 | 35 | 180 | 100 | 50 | 50 | 1.83 |
| CL7085 | 40 | 85 | 105 | 30 | 165 | 105 | 55 | 52 | 1.95 |
| CL8090 | 45 | 90 | 120 | 35 | 190 | 120 | 60 | 56 | 2.8 |
| CL8092 | 40 | 92 | 115 | 40 | 195 | 115 | 55 | 55 | 2.6 |
| CL8095 | 45 | 95 | 120 | 35 | 190 | 120 | 60 | 56 | 2.95 |
| CL8095 C | 40 | 95 | 115 | 40 | 195 | 115 | 55 | 55 | 2.5 |

www.trbitaly.com

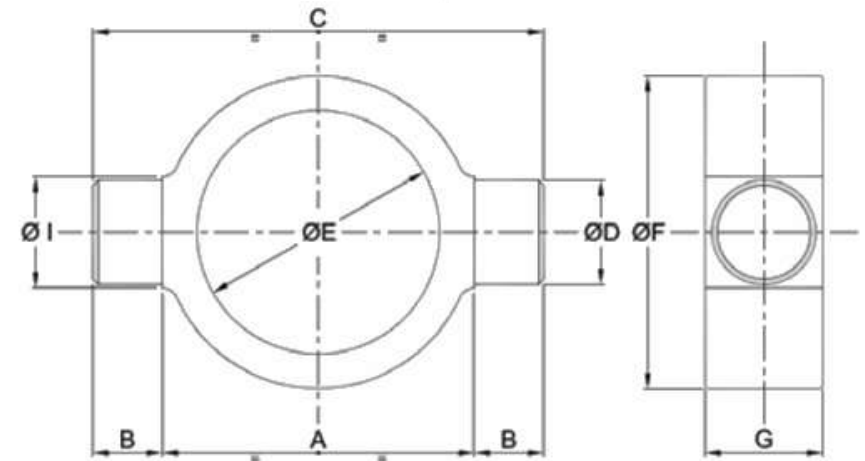
CL... - COLLARI

INDICE

| Codice | Ø D | Ø E | A | B | C | Ø F | G | Ø I | Peso Kg |
|------------|-----|-----|-----|----|-----|-----|-----|-----|---------|
| CL90100 | 45 | 100 | 130 | 35 | 200 | 130 | 60 | 56 | 3.45 |
| CL90105 | 45 | 105 | 130 | 35 | 200 | 130 | 60 | 56 | 3.09 |
| CL90105 C | 45 | 105 | 125 | 45 | 215 | 125 | 60 | 60 | 3 |
| CL100115 | 50 | 115 | 145 | 40 | 225 | 145 | 70 | 66 | 4.72 |
| CL100115 C | 50 | 115 | 145 | 50 | 245 | 145 | 70 | 70 | 5.2 |
| CL100120 | 50 | 120 | 145 | 40 | 225 | 145 | 70 | 66 | 4.23 |
| CL110125 | 50 | 125 | 155 | 40 | 235 | 155 | 70 | 66 | 4.83 |
| CL110130 | 50 | 130 | 155 | 40 | 235 | 155 | 70 | 66 | 4.35 |
| CL120135 | 55 | 135 | 170 | 45 | 260 | 170 | 80 | 80 | 7.4 |
| CL120140 | 55 | 140 | 170 | 45 | 260 | 170 | 80 | 80 | 6.7 |
| CL125140 | 55 | 140 | 175 | 45 | 265 | 175 | 80 | 80 | 7 |
| CL125145 | 55 | 145 | 175 | 45 | 265 | 175 | 80 | 80 | 6.5 |
| CL130145 | 60 | 145 | 180 | 45 | 270 | 180 | 80 | 80 | 7.2 |
| CL130150 | 60 | 150 | 180 | 45 | 270 | 180 | 80 | 80 | 6.8 |
| CL140160 | 65 | 160 | 200 | 50 | 300 | 200 | 100 | 100 | 10.5 |
| CL140160 C | 60 | 160 | 200 | 60 | 320 | 200 | 100 | 100 | 11 |
| CL150170 | 65 | 170 | 210 | 50 | 310 | 210 | 100 | 100 | 12.7 |
| CL160180 | 70 | 180 | 220 | 55 | 330 | 220 | 110 | 110 | 15 |



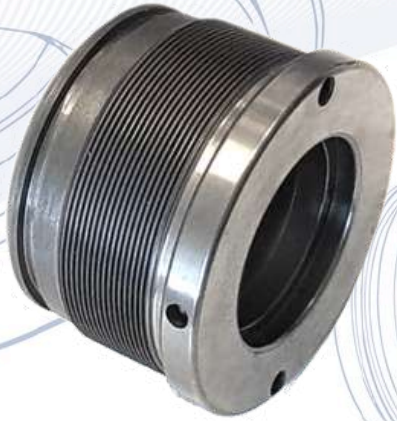
Materiale: Acciaio ST52.3



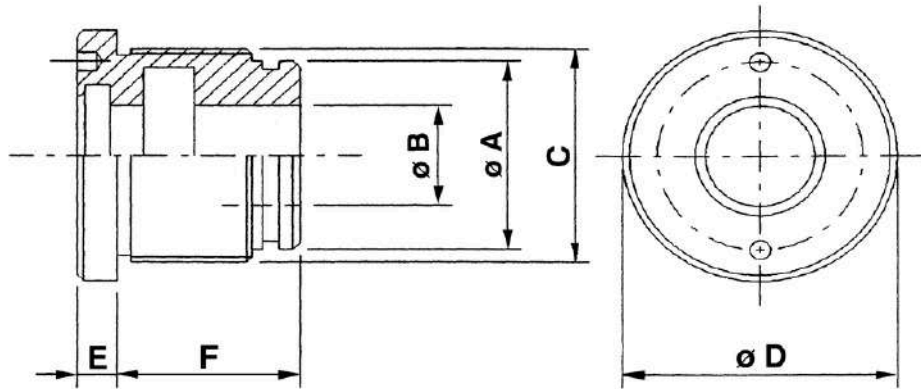
www.trbitaly.com

TG... - TESTATE DI GUIDA

INDICE



Materiale: G25/oleo



| Codice | Q.tà | Ø A | Ø B | C | Ø D | E | F | Peso Kg |
|------------|-------|-----|-----|---------|-----|----|----|---------|
| TG03502032 | 28 pz | 35 | 20 | M39x1.5 | 45 | 8 | 32 | 0.19 |
| TG03502232 | 28 pz | 35 | 22 | M39x1.5 | 45 | 8 | 32 | 0.17 |
| TG04002032 | 24 pz | 40 | 20 | M44x1.5 | 50 | 8 | 32 | 0.28 |
| TG04002232 | 24 pz | 40 | 22 | M44x1.5 | 50 | 8 | 32 | 0.26 |
| TG04002532 | 24 pz | 40 | 25 | M44x1.5 | 50 | 8 | 32 | 0.23 |
| TG04002832 | 24 pz | 40 | 28 | M44x1.5 | 50 | 8 | 32 | 0.19 |
| TG04502232 | 18 pz | 45 | 22 | M49x1.5 | 55 | 8 | 32 | 0.36 |
| TG04502532 | 18 pz | 45 | 25 | M49x1.5 | 55 | 8 | 32 | 0.33 |
| TG05002535 | 15 pz | 50 | 25 | M54x1.5 | 60 | 8 | 35 | 0.46 |
| TG05002835 | 15 pz | 50 | 28 | M54x1.5 | 60 | 8 | 35 | 0.43 |
| TG05003035 | 15 pz | 50 | 30 | M54x1.5 | 60 | 8 | 35 | 0.39 |
| TG05003235 | 15 pz | 50 | 32 | M54x1.5 | 60 | 8 | 35 | 0.35 |
| TG05003535 | 15 pz | 50 | 35 | M54x1.5 | 60 | 8 | 35 | 0.29 |
| TG05003635 | 15 pz | 50 | 36 | M54x1.5 | 60 | 8 | 35 | 0.29 |
| TG05503035 | 12 pz | 55 | 30 | M60x1.5 | 65 | 8 | 35 | 0.54 |
| TG05503535 | 12 pz | 55 | 35 | M60x1.5 | 65 | 8 | 35 | 0.45 |
| TG06002540 | 11 pz | 60 | 25 | M64x1.5 | 70 | 10 | 40 | 0.9 |
| TG06003040 | 11 pz | 60 | 30 | M64x1.5 | 70 | 10 | 40 | 0.8 |

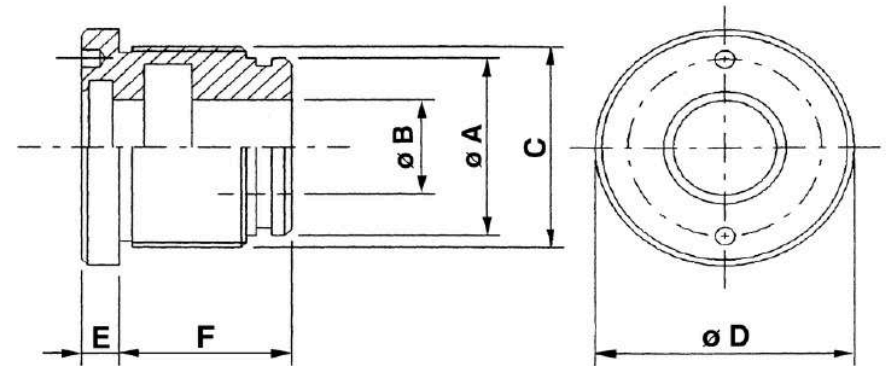
TG... - TESTATE DI GUIDA

INDICE

| Codice | Q.tà | Ø A | Ø B | C | Ø D | E | F | Peso Kg |
|------------|-------|-----|-----|---------|-----|----|----|---------|
| TG06003540 | 11 pz | 60 | 35 | M64x1.5 | 70 | 10 | 40 | 0.7 |
| TG06004040 | 11 pz | 60 | 40 | M64x1.5 | 70 | 10 | 40 | 0.6 |
| TG06303040 | 11 pz | 63 | 30 | M68x1.5 | 73 | 10 | 40 | 1.08 |
| TG06303240 | 11 pz | 63 | 32 | M68x1.5 | 73 | 10 | 40 | 0.88 |
| TG06303540 | 11 pz | 63 | 35 | M68x1.5 | 73 | 10 | 40 | 0.98 |
| TG06303640 | 11 pz | 63 | 36 | M68x1.5 | 73 | 10 | 40 | 0.81 |
| TG06304040 | 11 pz | 63 | 40 | M68x1.5 | 73 | 10 | 40 | 0.62 |
| TG06304540 | 11 pz | 63 | 45 | M68x1.5 | 73 | 10 | 40 | 0.6 |
| TG06503040 | 9 pz | 65 | 30 | M69x1.5 | 75 | 10 | 40 | 1.25 |
| TG06503540 | 9 pz | 65 | 35 | M69x1.5 | 75 | 10 | 40 | 1.11 |
| TG06504040 | 9 pz | 65 | 40 | M69x1.5 | 75 | 10 | 40 | 0.98 |
| TG07003040 | 8 pz | 70 | 30 | M74x1.5 | 80 | 10 | 40 | 1.17 |
| TG07003540 | 8 pz | 70 | 35 | M74x1.5 | 80 | 10 | 40 | 1.06 |
| TG07004040 | 8 pz | 70 | 40 | M74x1.5 | 80 | 10 | 40 | 0.94 |
| TG07004540 | 8 pz | 70 | 45 | M74x1.5 | 80 | 10 | 40 | 0.76 |
| TG07005040 | 8 pz | 70 | 50 | M74x1.5 | 80 | 10 | 40 | 0.66 |
| TG07503050 | 6 pz | 75 | 30 | M80x2 | 90 | 10 | 50 | 1.72 |
| TG07503550 | 6 pz | 75 | 35 | M80x2 | 90 | 10 | 50 | 1.62 |



Materiale: G25/oleo



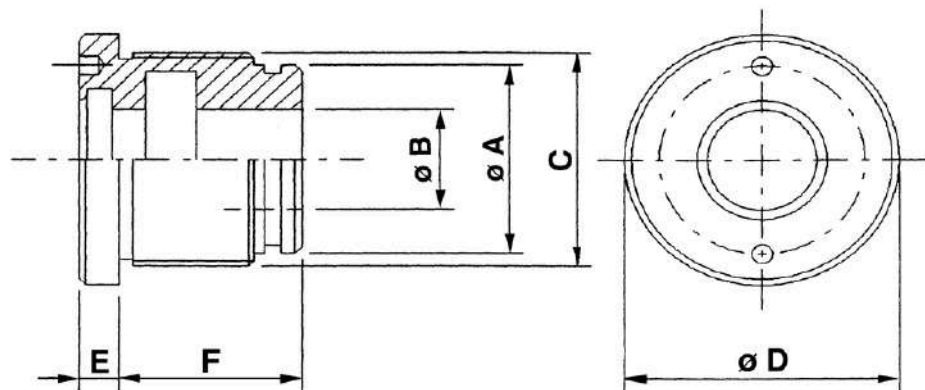
www.trbitaly.com

TG... - TESTATE DI GUIDA

INDICE



Materiale: G25/oleo



| Codice | Q.tà | Ø A | Ø B | C | Ø D | E | F | Peso Kg |
|--------------|------|-----|-----|---------|-----|----|----|---------|
| TG07504050 | 6 pz | 75 | 40 | M80x2 | 90 | 10 | 50 | 1.46 |
| TG07504550 | 6 pz | 75 | 45 | M80x2 | 90 | 10 | 50 | 1.33 |
| TG07505050 | 6 pz | 75 | 50 | M80x2 | 90 | 10 | 50 | 1.18 |
| TG08004050/B | 6 pz | 80 | 40 | M84x1.5 | 90 | 10 | 50 | 1.73 |
| TG08005050/B | 6 pz | 80 | 50 | M84x1.5 | 90 | 10 | 50 | 1.42 |
| TG08003050 | 6 pz | 80 | 30 | M85x2 | 92 | 10 | 50 | 2.25 |
| TG08003550 | 6 pz | 80 | 35 | M85x2 | 92 | 10 | 50 | 1.88 |
| TG08004050 | 6 pz | 80 | 40 | M85x2 | 92 | 10 | 50 | 1.73 |
| TG08004550 | 6 pz | 80 | 45 | M85x2 | 92 | 10 | 50 | 1.58 |
| TG08005050 | 6 pz | 80 | 50 | M85x2 | 92 | 10 | 50 | 1.42 |
| TG08005650 | 6 pz | 80 | 56 | M85x2 | 92 | 10 | 50 | 1.14 |
| TG08006050 | 6 pz | 80 | 60 | M85x2 | 92 | 10 | 50 | 1.37 |
| TG08503550 | 6 pz | 85 | 35 | M90x2 | 100 | 10 | 50 | 2.15 |
| TG08504050 | 6 pz | 85 | 40 | M90x2 | 100 | 10 | 50 | 2 |
| TG08504550 | 6 pz | 85 | 45 | M90x2 | 100 | 10 | 50 | 1.85 |
| TG08505050 | 6 pz | 85 | 50 | M90x2 | 100 | 10 | 50 | 1.67 |
| TG09004050 | 5 pz | 90 | 40 | M95x2 | 105 | 10 | 50 | 2.31 |
| TG09004550 | 5 pz | 90 | 45 | M95x2 | 105 | 10 | 50 | 2.16 |

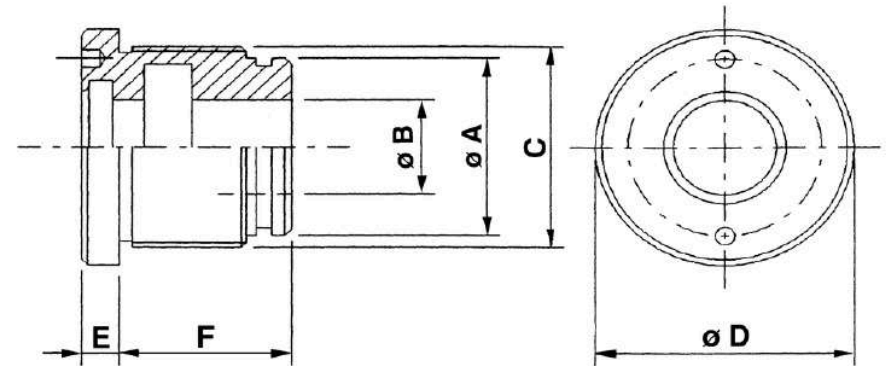
TG... - TESTATE DI GUIDA

INDICE

| Codice | Q.tà | Ø A | Ø B | C | Ø D | E | F | Peso Kg |
|------------|------|-----|-----|--------|-----|----|----|---------|
| TG09005050 | 5 pz | 90 | 50 | M95x2 | 105 | 10 | 50 | 1.99 |
| TG09006050 | 5 pz | 90 | 60 | M95x2 | 105 | 10 | 50 | 1.57 |
| TG10004070 | 3 pz | 100 | 40 | M105x2 | 115 | 12 | 70 | 4.14 |
| TG10004570 | 3 pz | 100 | 45 | M105x2 | 115 | 12 | 70 | 3.94 |
| TG10005070 | 3 pz | 100 | 50 | M105x2 | 115 | 12 | 70 | 3.71 |
| TG10005570 | 3 pz | 100 | 55 | M105x2 | 115 | 12 | 70 | 3.68 |
| TG10006070 | 3 pz | 100 | 60 | M105x2 | 115 | 12 | 70 | 3.13 |
| TG10007070 | 3 pz | 100 | 70 | M105x2 | 115 | 12 | 70 | 3.08 |
| TG11004560 | 2 pz | 110 | 45 | M115x2 | 125 | 12 | 60 | 4.6 |
| TG11005060 | 2 pz | 110 | 50 | M115x2 | 125 | 12 | 60 | 4.4 |
| TG11006070 | 2 pz | 110 | 60 | M115x2 | 125 | 12 | 60 | 4.9 |
| TG11007070 | 2 pz | 110 | 70 | M115x2 | 125 | 12 | 60 | 4.7 |
| TG11008070 | 2 pz | 110 | 80 | M115x2 | 125 | 12 | 60 | 4.5 |
| TG12005070 | 2 pz | 120 | 50 | M125x2 | 140 | 12 | 70 | 5.85 |
| TG12006070 | 2 pz | 120 | 60 | M125x2 | 140 | 12 | 70 | 5.3 |
| TG12007070 | 2 pz | 120 | 70 | M125x2 | 140 | 12 | 70 | 4.57 |
| TG12008070 | 2 pz | 120 | 80 | M125x2 | 140 | 12 | 70 | 4.57 |
| TG12009070 | 2 pz | 120 | 90 | M125x2 | 140 | 12 | 70 | 2.99 |



Materiale: G25/oleo



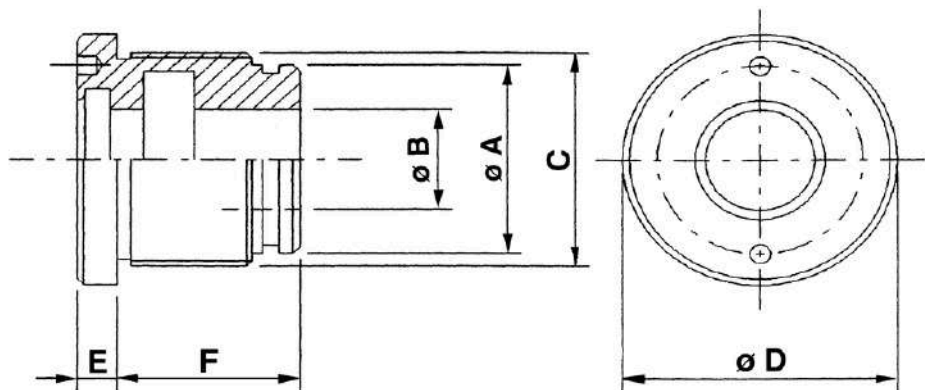
www.trbitaly.com

TG... - TESTATE DI GUIDA

INDICE



Materiale: G25/oleo



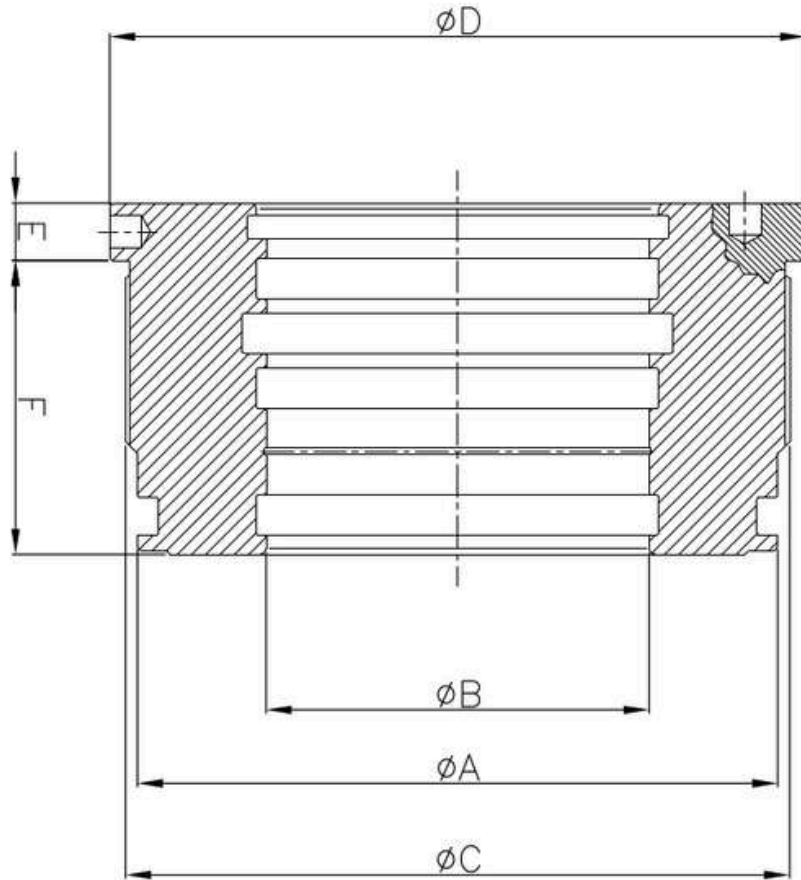
| Codice | Q.tà | Ø A | Ø B | C | Ø D | E | F | Peso Kg |
|-------------|------|-----|-----|--------|-----|----|----|---------|
| TG12506080 | 2 pz | 125 | 60 | M130x2 | 145 | 12 | 80 | 6.63 |
| TG12507080 | 2 pz | 125 | 70 | M130x2 | 145 | 12 | 80 | 5.83 |
| TG12508080 | 2 pz | 125 | 80 | M130x2 | 145 | 12 | 80 | 6.63 |
| TG12509080 | 2 pz | 125 | 90 | M130x2 | 145 | 12 | 80 | 4.03 |
| TG14007080 | 2 pz | 140 | 70 | M145x2 | 160 | 12 | 80 | 9.12 |
| TG14008080 | 2 pz | 140 | 80 | M145x2 | 160 | 12 | 80 | 8.4 |
| TG15007090 | 1 pz | 150 | 70 | M155x2 | 170 | 12 | 90 | 10.58 |
| TG15008090 | 1 pz | 150 | 80 | M155x2 | 170 | 12 | 90 | 9.75 |
| TG15009090 | 1 pz | 150 | 90 | M155x2 | 170 | 12 | 90 | 8.6 |
| TG150010090 | 1 pz | 150 | 100 | M155x2 | 170 | 12 | 90 | 7.5 |
| TG16008090 | 1 pz | 160 | 80 | M165x2 | 180 | 12 | 90 | 13.1 |
| TG16009090 | 1 pz | 160 | 90 | M165x2 | 180 | 12 | 90 | 12.07 |

TG... - TESTATE DI GUIDA

INDICE



Materiale: G25/oleo



| Codice | $\varnothing A$ | $\varnothing B$ | C | $\varnothing D$ | E | F | Peso Kg |
|-------------|-----------------|-----------------|----------|-----------------|----|-----|---------|
| TG18010092 | 180 | 100 | M188x2.5 | 210 | 18 | 92 | 15.82 |
| TG18012092 | 180 | 120 | M188x2.5 | 210 | 18 | 92 | 12.65 |
| TG20010092 | 200 | 100 | M208x2.5 | 218 | 18 | 92 | 20.59 |
| TG20012092 | 200 | 120 | M208x2.5 | 218 | 18 | 92 | 17.4 |
| TG250150117 | 250 | 150 | M208x2.5 | 268 | 18 | 117 | 33.00 |

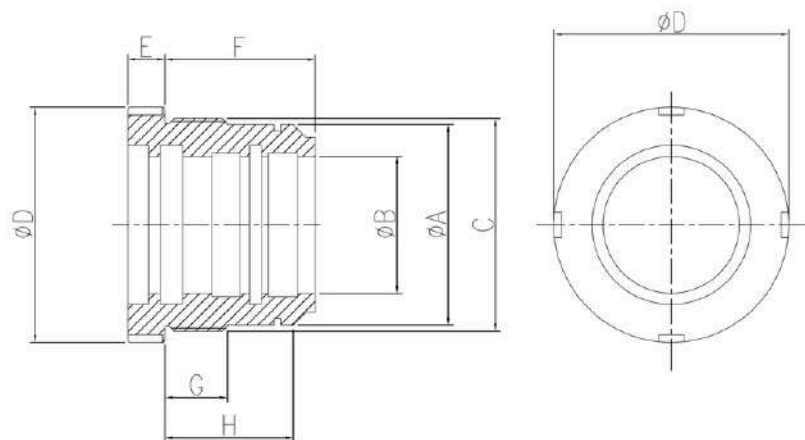
www.trbitaly.com

TGH..- TESTATE DI GUIDA ALTA PRESSIONE

INDICE



Materiale: Acciaio C43



| Codice | Ø A | Ø B | C | Ø D | E | F | G |
|-------------|-----|-----|---------|-----|----|----|----|
| TGH05002545 | 50 | 25 | M54x1.5 | 64 | 10 | 45 | 22 |
| TGH05003045 | 50 | 30 | M54x1.5 | 64 | 10 | 45 | 22 |
| TGH05003545 | 50 | 35 | M54x1.5 | 64 | 10 | 45 | 22 |
| TGH06003048 | 60 | 30 | M64x1.5 | 74 | 12 | 48 | 22 |
| TGH06003548 | 60 | 35 | M64x1.5 | 74 | 12 | 48 | 22 |
| TGH06004048 | 60 | 40 | M64x1.5 | 74 | 12 | 48 | 22 |
| TGH06303550 | 63 | 35 | M68x1.5 | 78 | 12 | 50 | 22 |
| TGH06304050 | 63 | 40 | M68x1.5 | 78 | 12 | 50 | 22 |
| TGH06304550 | 63 | 45 | M68x1.5 | 78 | 12 | 50 | 22 |
| TGH07004050 | 70 | 40 | M74x1.5 | 84 | 12 | 50 | 22 |
| TGH07005050 | 70 | 50 | M74x1.5 | 84 | 12 | 50 | 22 |
| TGH08004060 | 80 | 40 | M85x2 | 94 | 15 | 60 | 25 |
| TGH08004560 | 80 | 45 | M85x2 | 94 | 15 | 60 | 25 |
| TGH08005060 | 80 | 50 | M85x2 | 95 | 15 | 60 | 25 |
| TGH09004060 | 90 | 40 | M95x2 | 109 | 15 | 60 | 25 |
| TGH09004560 | 90 | 45 | M95x2 | 109 | 15 | 60 | 25 |
| TGH09005060 | 90 | 50 | M95x2 | 109 | 15 | 60 | 25 |
| TGH09006060 | 90 | 60 | M95x2 | 109 | 15 | 60 | 25 |
| TGH10004560 | 100 | 45 | M105x2 | 119 | 15 | 60 | 25 |

www.trbitaly.com

TGH..- TESTATE DI GUIDA

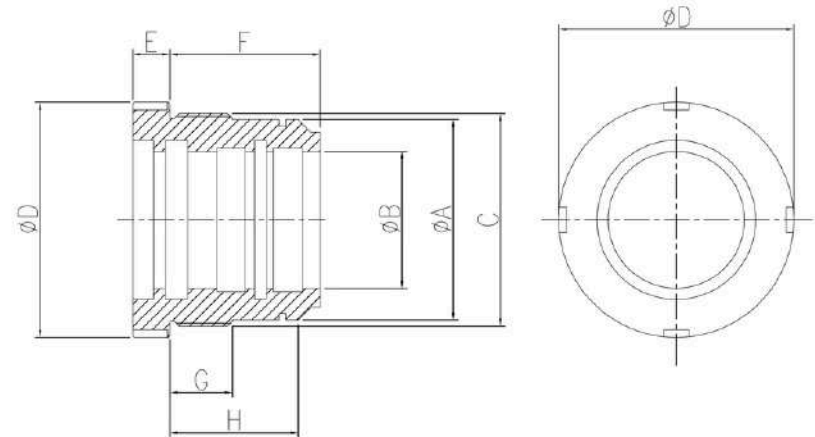
ALTA PRESSIONE

INDICE

| Codice | Ø A | Ø B | C | Ø D | E | F | G |
|-------------|-----|-----|--------|-----|----|----|----|
| TGH10005060 | 100 | 50 | M105x2 | 119 | 15 | 60 | 25 |
| TGH10005660 | 100 | 56 | M105x2 | 119 | 15 | 60 | 25 |
| TGH10006060 | 100 | 60 | M105x2 | 119 | 15 | 60 | 25 |
| TGH10006360 | 100 | 63 | M105x2 | 119 | 15 | 60 | 25 |
| TGH11005070 | 110 | 50 | M115x2 | 129 | 15 | 70 | 30 |
| TGH11005670 | 110 | 56 | M115x2 | 129 | 15 | 70 | 30 |
| TGH11006070 | 110 | 60 | M115x2 | 129 | 15 | 70 | 30 |
| TGH11006370 | 110 | 53 | M115x2 | 129 | 15 | 70 | 30 |
| TGH12006070 | 120 | 60 | M125x2 | 139 | 15 | 70 | 31 |
| TGH12007070 | 120 | 70 | M125x2 | 139 | 15 | 70 | 31 |
| TGH12008070 | 120 | 80 | M125x2 | 139 | 15 | 70 | 31 |
| TGH12507075 | 125 | 70 | M130x2 | 144 | 15 | 75 | 39 |
| TGH12508075 | 125 | 80 | M130x2 | 144 | 15 | 75 | 39 |
| TGH14008075 | 140 | 80 | M145x2 | 159 | 15 | 75 | 40 |
| TGH14009075 | 140 | 90 | M145x2 | 159 | 15 | 75 | 40 |
| TGH14010075 | 140 | 100 | M145x2 | 159 | 15 | 75 | 40 |
| TGH15008085 | 150 | 80 | M155x2 | 169 | 15 | 85 | 46 |
| TGH15009085 | 150 | 90 | M155x2 | 169 | 15 | 85 | 46 |
| TGH15010085 | 150 | 100 | M155x2 | 169 | 15 | 85 | 46 |
| TGH16010085 | 160 | 100 | M165x2 | 179 | 15 | 85 | 46 |



Materiale: Acciaio C43



www.trbitaly.com

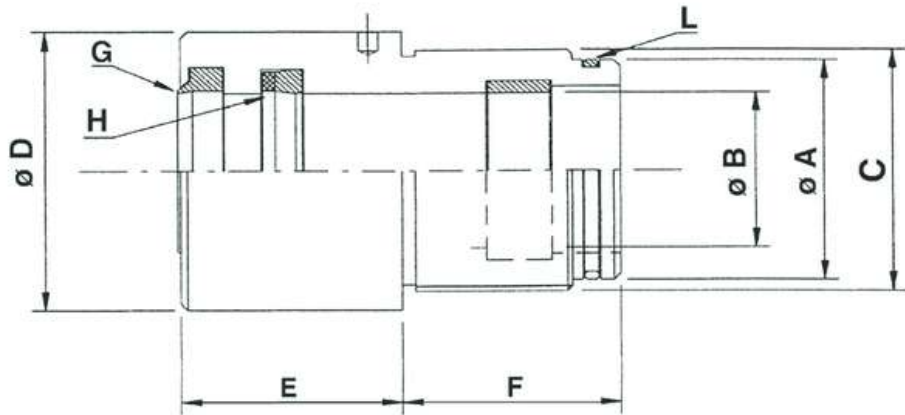
TGT.- TESTATE DI GUIDA TUFFANTE

INDICE



Materiale: G25/oleo

| Codice | Q.tà | Ø A | Ø B | C | Ø D | E | F | Peso Kg |
|-------------|------|-------|-----|---------|-------|-----|----|---------|
| TGT02504532 | 5 pz | 35.55 | 25 | M39x1.5 | 45 | 33 | 32 | 0.33 |
| TGT03005032 | 5 pz | 40.55 | 30 | M44x1.5 | 50 | 33 | 32 | 0.38 |
| TGT03505532 | 5 pz | 45.55 | 35 | M49x1.5 | 55 | 33 | 32 | 0.44 |
| TGT04006035 | 5 pz | 50.55 | 40 | M54x1.5 | 60 | 35 | 35 | 0.51 |
| TGT04506535 | 5 pz | 55.55 | 45 | M60x1.5 | 65 | 35 | 35 | 0.59 |
| TGT05007040 | 4 pz | 60.55 | 50 | M64x1.5 | 70 | 35 | 40 | 0.64 |
| TGT06008040 | 4 pz | 70.55 | 60 | M74x1.5 | 80 | 35 | 40 | 0.75 |
| TGT07009850 | 3 pz | 80.55 | 70 | M85x2 | 98 | 50 | 50 | 1.92 |
| TGT08010550 | - | 90.55 | 80 | M95x2 | 105 | 50 | 50 | 1.98 |
| TGT10014042 | - | - | 100 | M124x2 | 138.5 | 115 | 42 | 7.1 |



www.trbitaly.com

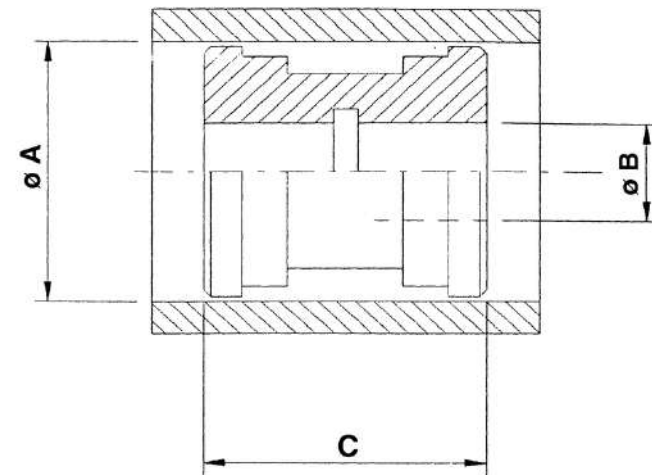
PIS.- PISTONI

INDICE

| Codice | Q.tà | Ø A | Ø B | C | Peso Kg |
|-------------|--------|-----|-----|----|---------|
| PIS03501540 | - | 35 | 15 | 40 | 0.16 |
| PIS04001540 | 35 pz. | 40 | 15 | 40 | 0.23 |
| PIS04002040 | 35 pz. | 40 | 20 | 40 | 0.2 |
| PIS04501540 | 24 pz. | 45 | 15 | 40 | 0.31 |
| PIS05001540 | 20 pz. | 50 | 15 | 40 | 0.37 |
| PIS05002040 | 20 pz. | 50 | 20 | 40 | 0.35 |
| PIS05002050 | 20 pz. | 50 | 20 | 50 | 0.48 |
| PIS05502040 | 15 pz. | 55 | 20 | 40 | 0.42 |
| PIS05502050 | 15 pz. | 55 | 20 | 50 | 0.51 |
| PIS06002045 | 14 pz. | 60 | 20 | 45 | 0.59 |
| PIS06002050 | 14 pz. | 60 | 20 | 50 | 0.71 |
| PIS06002445 | 14 pz. | 60 | 24 | 45 | 0.56 |
| PIS06002750 | 14 pz. | 60 | 27 | 50 | 0.61 |
| PIS06302050 | 12 pz. | 63 | 20 | 50 | 0.7 |
| PIS06302750 | 12 pz. | 63 | 27 | 50 | 0.65 |
| PIS06502050 | 12 pz. | 65 | 20 | 50 | 0.88 |
| PIS06502445 | 12 pz. | 65 | 24 | 45 | 0.72 |
| PIS06502550 | 12 pz. | 65 | 25 | 50 | 0.7 |



Materiale: Acciaio C43



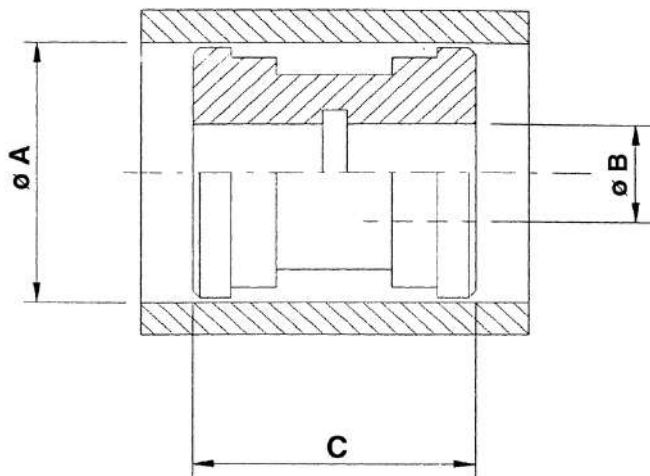
www.trbitaly.com

PIS.- PISTONI

INDICE



Materiale: Acciaio C43



| Codice | Q.tà | Ø A | Ø B | C | Peso KG |
|-------------|-------|-----|-----|----|---------|
| PIS07002050 | 11 pz | 70 | 20 | 50 | 0.81 |
| PIS07002445 | 11 pz | 70 | 24 | 45 | 0.76 |
| PIS07002750 | 11 pz | 70 | 27 | 50 | 0.71 |
| PIS07502445 | 8 pz | 75 | 24 | 45 | 0.93 |
| PIS07502750 | 8 pz | 75 | 27 | 50 | 1 |
| PIS08002445 | 7 pz | 80 | 24 | 45 | 1.11 |
| PIS08002750 | 7 pz | 80 | 27 | 50 | 1.23 |
| PIS08003050 | 7 pz | 80 | 30 | 50 | 1.25 |
| PIS08502445 | - | 85 | 24 | 45 | 1.3 |
| PIS08502750 | - | 85 | 27 | 50 | 1.43 |
| PIS09002750 | 6 pz | 90 | 27 | 50 | 1.66 |
| PIS09003050 | 6 pz | 90 | 30 | 50 | 1.66 |
| PIS09003350 | 6 pz | 90 | 33 | 50 | 1.55 |
| PIS10002750 | 4 pz | 100 | 27 | 50 | 2.06 |
| PIS10003050 | 4 pz | 100 | 30 | 50 | 1.99 |
| PIS10003350 | 4 pz | 100 | 33 | 50 | 1.95 |
| PIS10004050 | 4 pz | 100 | 40 | 50 | 1.87 |
| PIS11003350 | 3 pz | 110 | 33 | 50 | 2.49 |
| PIS11004050 | 3 pz | 110 | 40 | 50 | 2.33 |

www.trbitaly.com

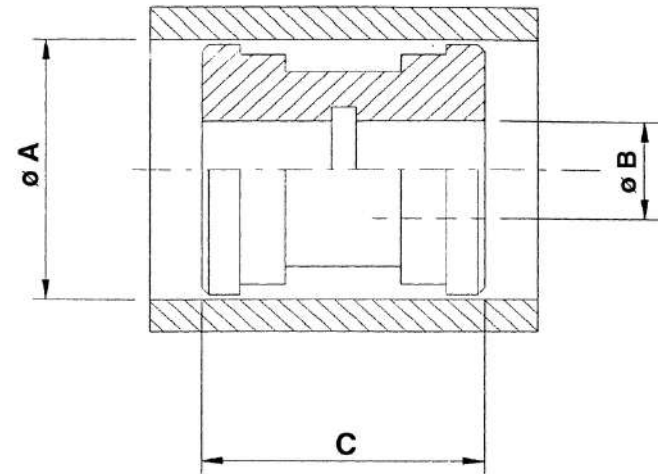
PIS.- PISTONI

INDICE

| Codice | Q.tà | Ø A | Ø B | C | Peso Kg |
|-------------|------|-----|-----|----|---------|
| PIS12004050 | 2 pz | 120 | 40 | 50 | 2.95 |
| PIS12503350 | 2 pz | 125 | 33 | 50 | 3.38 |
| PIS12504050 | 2 pz | 125 | 40 | 50 | 3.24 |
| PIS14004058 | 2 pz | 140 | 40 | 58 | 5.04 |
| PIS15004058 | 2 pz | 150 | 40 | 58 | 5.67 |
| PIS16005158 | 2 pz | 160 | 51 | 58 | 6.6 |



Materiale: Acciaio C43



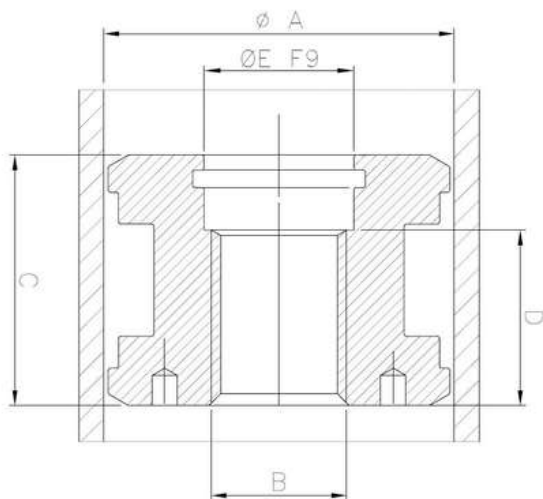
www.trbitaly.com

EPF..C- PISTONI FILETTATI

INDICE



**Materiale: Acciaio AVP
(9SMn Pb28o C43)**



| Codice | Q.tà | Ø A | B | C | D | Ø E | Peso KG |
|---------------|-------|-----|---------|----|----|-----|---------|
| EPF040018036C | 35 pz | 40 | M18x1.5 | 36 | 23 | 20 | 0.17 |
| EPF050018040C | 20 pz | 50 | M18x1.5 | 40 | 25 | 25 | 0.3 |
| EPF060024045C | 14 pz | 60 | M24x2 | 45 | 32 | 30 | 0.56 |
| EPF060024452C | 14 pz | 60 | M24X2 | 45 | 30 | 25 | 0.5 |
| EPF070024045C | 11 pz | 70 | M24X2 | 45 | 30 | 25 | 0.8 |
| EPF070027050C | 11 pz | 70 | M27x2 | 50 | 35 | 30 | 0.85 |
| EPF080027045C | 7 pz | 80 | M27x2 | 45 | 30 | 28 | 1 |
| EPF080027050C | 7 pz | 80 | M27x2 | 50 | 35 | 28 | 1 |
| EPF090027050C | 6 pz | 90 | M27x2 | 50 | 35 | 28 | 1.24 |
| EPF090033050C | 6 pz | 90 | M33x2 | 50 | 35 | 35 | 1.3 |
| EPF100033050C | 4 pz | 100 | M33x2 | 50 | 35 | 35 | 1.96 |

www.trbitaly.com

EPFH..- PISTONI FILETTATI

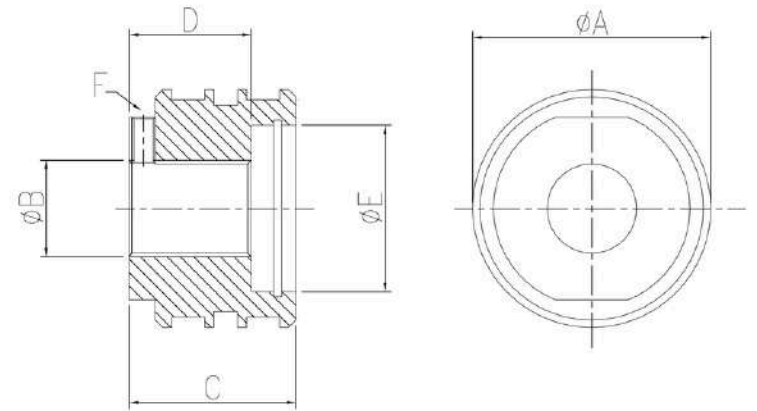
ALTA PRESSIONE

INDICE

| Codice | Ø A | B | C | D | Ø E | F |
|---------------|-----|---------|-----|-----|-----|-------|
| EPFH0502140 | 50 | M20x1.5 | 40 | 28 | 21 | 6X12 |
| EPFH0603045 | 60 | M27x2 | 45 | 30 | 30 | 6X12 |
| EPFH0633045 | 63 | M27x2 | 45 | 30 | 30 | 6X12 |
| EPFH0704056 | 70 | M30x2 | 56 | 41 | 40 | 6X12 |
| EPFH0804056 | 80 | M30x2 | 56 | 41 | 40 | 6X12 |
| EPFH0903855 | 90 | M36x3 | 55 | 40 | 38 | 6X12 |
| EPFH0904056 | 90 | M36x3 | 56 | 41 | 40 | 6X12 |
| EPFH1004556 | 100 | M42x2 | 56 | 41 | 45 | 6X12 |
| EPFH1105070 | 110 | M48x3 | 70 | 55 | 50 | 8X16 |
| EPFH1205070 | 120 | M48x3 | 70 | 55 | 50 | 8X16 |
| EPFH1255170 | 125 | M48x3 | 70 | 55 | 51 | 8X16 |
| EPFH1405075 | 140 | M48x3 | 75 | 57 | 50 | 8X16 |
| EPFH1505680 | 150 | M52x3 | 80 | 60 | 56 | 8X16 |
| EPFH1605680 | 160 | M52x3 | 80 | 60 | 56 | 8X16 |
| EPFH18090115 | 180 | M80x2 | 115 | 85 | 90 | 10X16 |
| EPFH200100115 | 200 | M80x2 | 115 | 85 | 100 | 10X16 |
| EPFH220110120 | 220 | M80x2 | 120 | 90 | 110 | 10X16 |
| EPFH250125130 | 250 | M98x3 | 130 | 100 | 125 | 10X16 |



Materiale: Acciaio C43



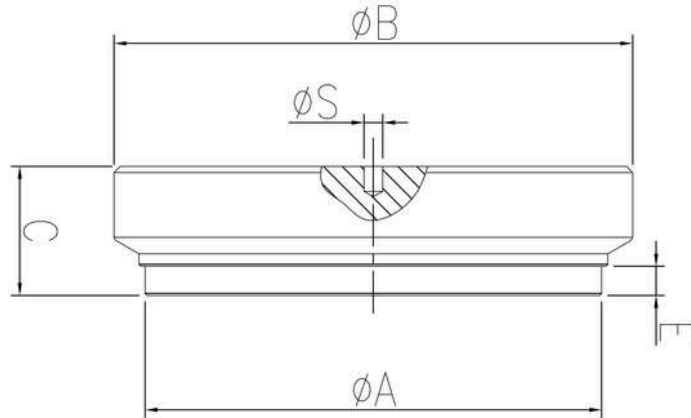
www.trbitaly.com

FDH.- FONDELLI ALTA PRESSIONE

INDICE



Materiale: Acciaio ST52.3



| Codice | $\varnothing A$ | $\varnothing B$ | C | $\varnothing S$ | E |
|---------|-----------------|-----------------|----|--------------------------|---|
| FDH050P | 50 | 65 | 18 | $\varnothing 4 \times 6$ | 4 |
| FDH060P | 60 | 75 | 19 | $\varnothing 4 \times 6$ | 4 |
| FDH063P | 63 | 78 | 22 | $\varnothing 4 \times 6$ | 4 |
| FDH070P | 70 | 85 | 22 | $\varnothing 4 \times 6$ | 4 |
| FDH075P | 75 | 90 | 22 | $\varnothing 4 \times 6$ | 4 |
| FDH080P | 80 | 95 | 25 | $\varnothing 4 \times 6$ | 4 |
| FDH090P | 90 | 110 | 26 | $\varnothing 4 \times 6$ | 4 |
| FDH100P | 100 | 120 | 30 | $\varnothing 6 \times 8$ | 4 |
| FDH110P | 110 | 125 | 31 | $\varnothing 6 \times 8$ | 7 |
| FDH120P | 120 | 140 | 34 | $\varnothing 6 \times 8$ | 7 |
| FDH125P | 125 | 145 | 35 | $\varnothing 6 \times 8$ | 7 |
| FDH130P | 130 | 150 | 35 | $\varnothing 6 \times 8$ | 7 |
| FDH140P | 140 | 160 | 40 | $\varnothing 6 \times 8$ | 7 |
| FDH150P | 150 | 170 | 42 | $\varnothing 6 \times 8$ | 7 |
| FDH160P | 160 | 180 | 45 | $\varnothing 6 \times 8$ | 7 |

www.trbitaly.com

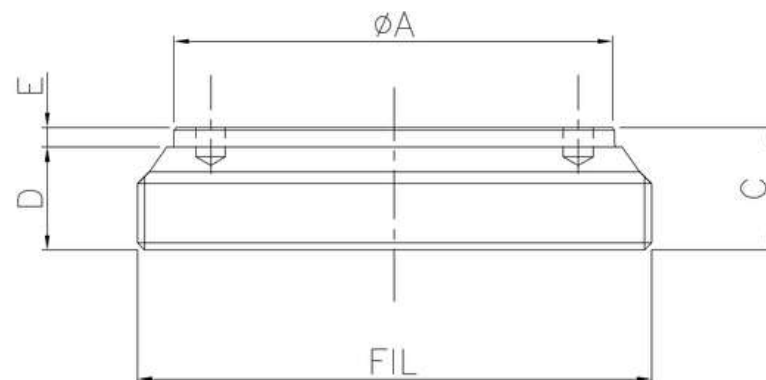
FD..F.. - FONDELLI FILETTATI

INDICE

| Codice | Ø A | FIL | C | D | E | Peso Kg |
|-------------|-----|----------|----|----|---|---------|
| FD80FIL85 | 70 | M85x2 | 22 | 18 | 4 | 0.86 |
| FD90FIL95 | 80 | M95x2 | 25 | 21 | 4 | 1.24 |
| FD100FIL105 | 90 | M105x2 | 25 | 21 | 4 | 1.22 |
| FD110FIL115 | 100 | M115x2 | 25 | 21 | 4 | 1.84 |
| FD120FIL125 | 110 | M125x2 | 30 | 25 | 5 | 2.65 |
| FD130FIL135 | 120 | M135x2 | 30 | 26 | 4 | 3.14 |
| FD140FIL145 | 130 | M145x2 | 30 | 26 | 4 | 3.65 |
| FD150FIL155 | 140 | M155x2 | 30 | 26 | 4 | 4.18 |
| FD160FIL165 | 145 | M165x2.5 | 35 | 29 | 6 | 5.38 |
| FD170FIL175 | 155 | M175x2.5 | 35 | 29 | 6 | 6.1 |
| FD180FIL185 | 165 | M185x2.5 | 35 | 29 | 6 | 6.8 |
| FD200FIL205 | 185 | M205x2.5 | 48 | 41 | 7 | 11.57 |
| FD250FIL255 | 235 | M255x2.5 | 48 | 41 | 7 | 18 |



Materiale: S355



www.trbitaly.com

SERVIZIO APPROVVIGINAMENTI CONCORDATI **INDICE**

Il nostro servizio di approvvigionamenti concordati garantisce la continuità del vostro lavoro riducendo i vostri costi di magazzino.



MAGAZZINO DI STOCCAGGIO INTERNO

Magazzino dedicato allo stoccaggio per garantire ai nostri clienti una consegna rapida in caso di bisogno.



MATERIA PRIMA PRE-TAGLIATA

Il pre-taglio della materia prima ci permette uno stoccaggio più semplice, consentendoci di abbattere ulteriormente quelli che sono i tempi di produzione dandoci la possibilità di garantire ai nostri clienti consegne rapide e veloci.



STOCCAGGIO MATERIE PRIME

Il nostro ampio spazio di stoccaggio ci permette di immagazzinare la materia prima per consentirci di ridurre sensibilmente le tempistiche di produzione.

Con questo servizio ottieni:

Risparmio dei costi di magazzino • Approvvigionamenti sempre disponibili • Tempi di consegna più brevi

www.trbitaly.com

SERVIZIO APPROVVIGINAMENTI CONCORDATI

INDICE



CONCORDIAMO IL TUO FABBISOGNO

In base ai quantitativi richiesti formuliamo l'offerta economica e il piano di approvvigionamento.



SPEDIZIONI CONCORDATE O SU RICHIESTA

Riceverai gli approvvigionamenti puntualmente secondo il piano oppure su richiesta in caso di necessità.



PRODUCIAMO E STOCCHIAMO LA SCORTA CONCORDATA

In questo modo risparmi i costi di magazzino e hai la certezza degli approvvigionamenti.

Con questo servizio ottieni:

Risparmio dei costi di magazzino • Approvvigionamenti sempre disponibili • Tempi di consegna più brevi

www.trbitaly.com

LA NOSTRA AZIENDA

TRB possiede macchine utensili robotizzate moderne per la produzione di componenti per cilindri idraulici in acciaio, ghisa e acciaio inox.

Utilizzano vari tipi di macchinari, come torni bimandrino con utensili motorizzati e centri di lavoro bipallet e multipallet.

I robot garantiscono un'operatività continua, supportata anche da macchine a controllo numerico tradizionali.

La lavorazione avviene con un diametro compreso tra 50 e 200 mm per i torni e fino a 1000x1000 per i centri di lavoro, assicurando un elevato standard di qualità tramite controlli continui.



www.trbitaly.com

TRB Italy
COMPONENTS FOR
HYDRAULIC CYLINDERS



42023 Cadelbosco di Sopra (RE)

Italy

Via T.Tasso 9

T +39 0522917854

info@trbitaly.com