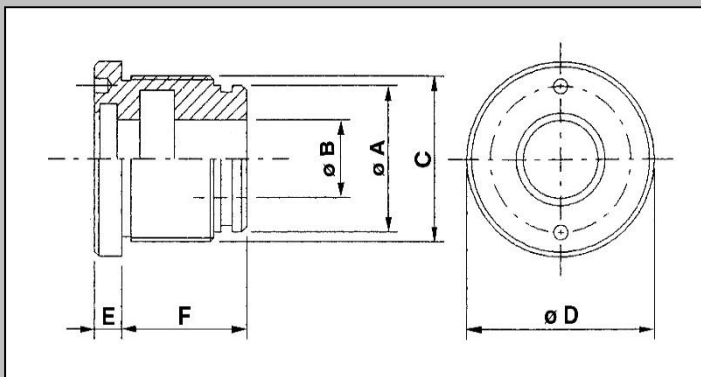


TESTATA DI GUIDA  
PILOT BOSS

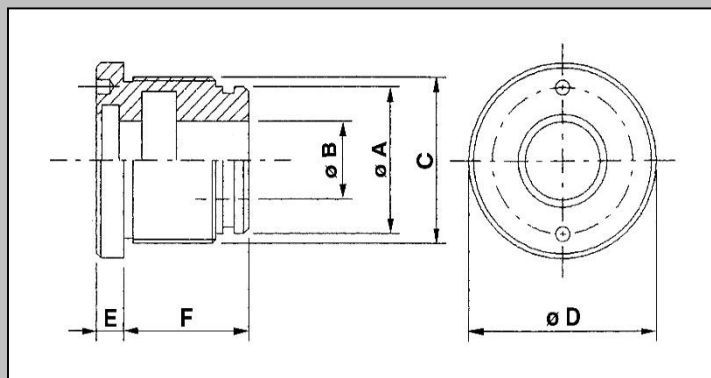


- MATERIALE G25/oleo
- MATERIAL G25/oleo

ALESAGGIO BORE	CODICE CODE	Ø A	Ø B	C	Ø D	E	F	PESO WEIGHT kg.	Q.TA' MINIMA (E/O MULTIPLI) MINIMUM Q.TY (AND/OR MULTIPLES)
Ø 32	TG322027	32	20	M 36x1.5	40	6	27	0,15	10 pz/pcs
Ø 35	TG352032	35	20	M 39x1.5	45	8	32	0,19	9 pz/pcs
	TG352232	35	22	M 39x1.5	45	8	32	0,17	9 pz/pcs
Ø 40	TG402032	40	20	M 44x1.5	50	8	32	0,28	9 pz/pcs
	TG402232	40	22	M 44x1.5	50	8	32	0,26	9 pz/pcs
	TG402532	40	25	M 44x1.5	50	8	32	0,23	9 pz/pcs
Ø 45	TG452232	45	22	M 49x1.5	55	8	32	0,36	9 pz/pcs
	TG452532	45	25	M 49x1.5	55	8	32	0,33	9 pz/pcs
Ø 50	TG502535	50	25	M 54x1.5	60	8	35	0,46	8 pz/pcs
	TG503035	50	30	M 54x1.5	60	8	35	0,39	8 pz/pcs
	TG503535	50	35	M 54x1.5	60	8	35	0,29	8 pz/pcs



# TESTATA DI GUIDA PILOT BOSS



- MATERIALE G25/oleo
- MATERIAL G25/oleo

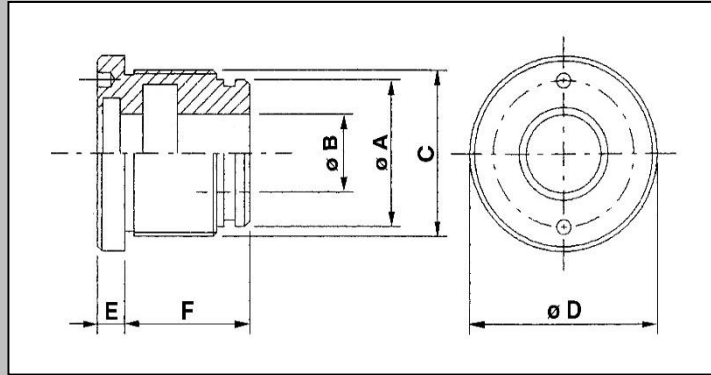
ALESAGGIO BORE	CODICE CODE	Ø A	Ø B	C	Ø D	E	F	PESO WEIGHT kg.	Q.TA' MINIMA (E/O MULTIPLI) MINIMUM Q.TY (AND/OR MULTIPLES)
-------------------	----------------	-----	-----	---	-----	---	---	-----------------------	--

Ø 55	TG553035	55	30	M 60x1.5	65	8	35	0,54	8 pz/pcs
	TG553535	55	35	M 60x1.5	65	8	35	0,45	8 pz/pcs

Ø 60	TG602540	60	25	M 64x1.5	70	10	40	0,90	7 pz/pcs
	TG603040	60	30	M 64x1.5	70	10	40	0,80	7 pz/pcs
	TG603540	60	35	M 64x1.5	70	10	40	0,70	7 pz/pcs
	TG604040	60	40	M 64x1.5	70	10	40	0,60	7 pz/pcs

Ø 63	TG633040	63	30	M 68x1.5	73	10	40	1,08	7 pz/pcs
	TG633540	63	35	M 68x1.5	73	10	40	0,98	7 pz/pcs
	TG634040	63	40	M 68x1.5	73	10	40	0,62	7 pz/pcs

Ø 65	TG653040	65	30	M 69x1.5	75	10	40	1,25	7 pz/pcs
	TG653540	65	35	M 69x1.5	75	10	40	1,11	7 pz/pcs
	TG654040	65	40	M 69x1.5	75	10	40	0,98	7 pz/pcs



- MATERIALE G25/oleo
- MATERIAL G25/oleo

ALESAGGIO BORE	CODICE CODE	Ø A	Ø B	C	Ø D	E	F	PESO WEIGHT kg.	Q.TA' MINIMA (E/O MULTIPLI) MINIMUM Q.TY (AND/OR MULTIPLES)
-------------------	----------------	-----	-----	---	-----	---	---	-----------------------	--

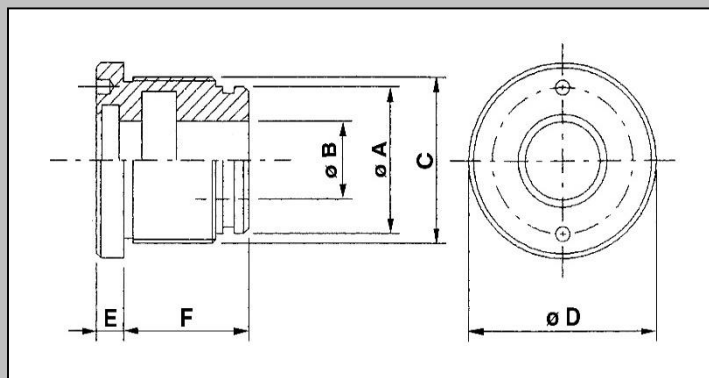
Ø 70	TG703040	70	30	M 74x1.5	80	10	40	1,17	7 pz/pcs
	TG703540	70	35	M 74x1.5	80	10	40	1,06	7 pz/pcs
	TG704040	70	40	M 74x1.5	80	10	40	0,94	7 pz/pcs
	TG704540	70	45	M 74x1.5	80	10	40	0,76	7 pz/pcs
	TG705040	70	50	M 74x1.5	80	10	50	0,66	7 pz/pcs

Ø 75	TG753050	75	30	M 80x2	90	10	50	1,72	6 pz/pcs
	TG753550	75	35	M 80x2	90	10	50	1,62	6 pz/pcs
	TG754050	75	40	M 80x2	90	10	50	1,46	6 pz/pcs
	TG754550	75	45	M 80x2	90	10	50	1,33	6 pz/pcs

Ø 80	TG804050B	80	40	M 84x1.5	90	10	50	1,73	6 pz/pcs
	TG805050B	80	50	M 84x1.5	90	10	50	1,42	6 pz/pcs
	TG803050	80	30	M 85x2	92	10	50	2,25	6 pz/pcs
	TG803550	80	35	M 85x2	92	10	50	1,88	6 pz/pcs



# TESTATA DI GUIDA PILOT BOSS



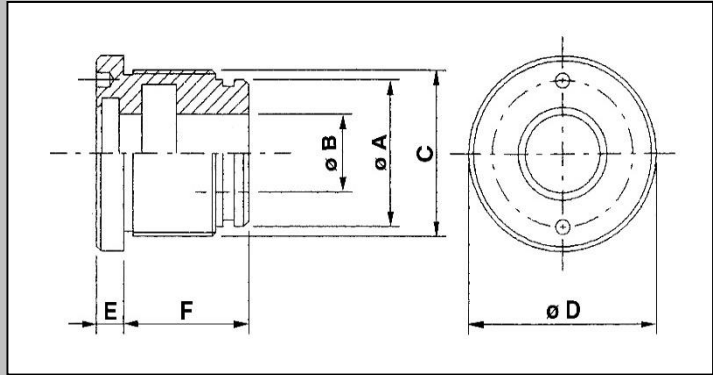
- MATERIALE G25/oleo
- MATERIAL G25/oleo

ALESAGGIO BORE	CODICE CODE	$\varnothing A$	$\varnothing B$	C	$\varnothing D$	E	F	PESO WEIGHT kg.	Q.TA' MINIMA (E/O MULTIPLI) MINIMUM Q.TY (AND/OR MULTIPLES)
-------------------	----------------	-----------------	-----------------	---	-----------------	---	---	-----------------------	--

$\varnothing 80$	TG804050	80	40	M 88x2	92	10	50	1,73	6 pz/pcs
	TG8045550	80	45	M 88x2	92	10	50	1,58	6 pz/pcs
	TG805050	80	50	M 88x2	92	10	50	1,42	6 pz/pcs
	TG806050	80	60	M 88x2	92	10	50	1,37	6 pz/pcs

$\varnothing 85$	TG853550	85	35	M 90x2	100	10	50	2,15	6 pz/pcs
	TG854050	85	40	M 90x2	100	10	50	2,00	6 pz/pcs
	TG854550	85	45	M 90x2	100	10	50	1,85	6 pz/pcs
	TG855050	85	50	M 90x2	100	10	50	1,67	6 pz/pcs

$\varnothing 90$	TG904050	90	40	M 95x2	105	10	50	2,31	6 pz/pcs
	TG904550	90	45	M 95x2	105	10	50	2,16	6 pz/pcs
	TG905050	90	50	M 95x2	105	10	50	1,99	6 pz/pcs
	TG906050	90	60	M 95x2	105	10	50	1,57	6 pz/pcs



- MATERIALE G25/oleo
- MATERIAL G25/oleo

ALESAGGIO BORE	CODICE CODE	Ø A	Ø B	C	Ø D	E	F	PESO WEIGHT kg.	Q.TA' MINIMA (E/O MULTIPLI) MINIMUM Q.TY (AND/OR MULTIPLES)
-------------------	----------------	-----	-----	---	-----	---	---	-----------------------	--

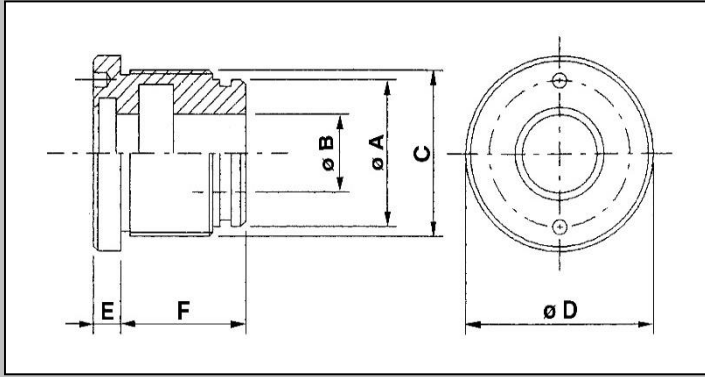
Ø 100	TG1004070	100	40	M 105x2	115	12	70	4,14	4 pz/pcs
	TG1004570	100	45	M 105x2	115	12	70	3,94	4 pz/pcs
	TG1005070	100	50	M 105x2	115	12	70	3,71	4 pz/pcs
	TG1005570	100	55	M 105x2	115	12	70	3,68	4 pz/pcs
	TG1006070	100	60	M 105x2	115	12	70	3,13	4 pz/pcs
	TG1007070	100	70	M 105x2	115	12	70	3,08	4 pz/pcs

Ø 110	TG1104560	110	45	M 115x2	125	12	60	4,60	-
	TG1105060	110	50	M 115x2	125	12	60	4,40	-
	TG1106070	110	60	M 115x2	125	12	70	4,90	-
	TG1107070	110	70	M 115x2	125	12	70	4,70	-
	TG1108070	110	80	M 115x2	125	12	70	4,50	-

Ø 120	TG1206070	120	60	M 125x2	140	12	70	5,30	-
	TG1207070	120	70	M 125x2	140	12	70	4,57	-



# TESTATA DI GUIDA PILOT BOSS



- MATERIALE G25/oleo
- MATERIAL G25/oleo

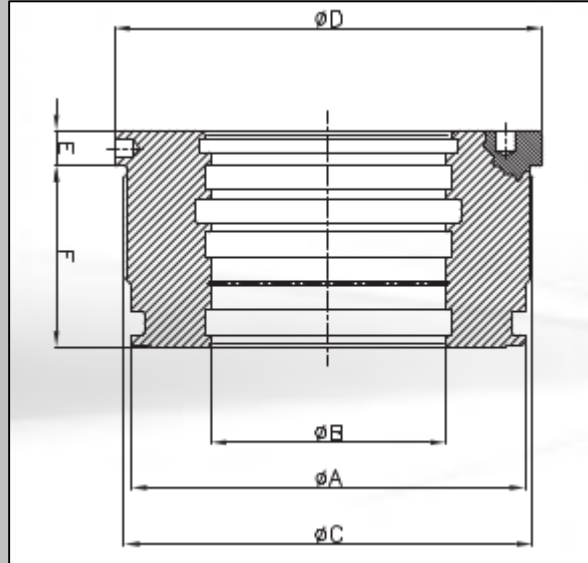
ALESAGGIO BORE	CODICE CODE	Ø A	Ø B	C	Ø D	E	F	PESO WEIGHT kg.	Q.TA' MINIMA (E/O MULTIPLI) MINIMUM Q.TY (AND/OR MULTIPLES)
-------------------	----------------	-----	-----	---	-----	---	---	-----------------------	--

Ø 125	TG1256080	125	60	M 130x2	145	12	80	6,63	-
	TG1257080	125	70	M 130x2	145	12	80	5,83	-

Ø 140	TG1407080	140	70	M 145x2	160	12	80	9,12	-
	TG1408080	140	80	M 145x2	160	12	80	8,40	-

Ø 150	TG1507090	150	70	M 155x2	170	12	90	10,58	-
	TG1508090	150	80	M 155x2	170	12	90	9,75	-

Ø 160	TG1608090	160	80	M 165x2	180	12	90	13,10	-
	TG1609090	160	90	M 165x2	180	12	90	12,07	-



- MATERIALE G25/oleo
- MATERIAL G25/oleo

ALESAGGIO BORE	CODICE CODE	$\phi A$	$\phi B$	C	$\phi D$	E	F	PESO WEIGHT kg.	Q.TA' MINIMA (E/O MULTIPLI) MINIMUM Q.TY (AND/OR MULTIPLES)
-------------------	----------------	----------	----------	---	----------	---	---	-----------------------	--

$\phi 180$	TG18010092	180	100	M 188x2.5	210	18	92	15,82	-
	TG18012092	180	120	M 188x2.5	210	18	92	12,65	-

$\phi 200$	TG20010092	200	100	M 208x2.5	218	18	92	20,59	-
	TG20012092	200	120	M 208x2.5	218	18	92	17,40	-

$\phi 250$	TG250150117	250	150	M 258x2.5	268	18	117	33,00	-
------------	-------------	-----	-----	-----------	-----	----	-----	-------	---

