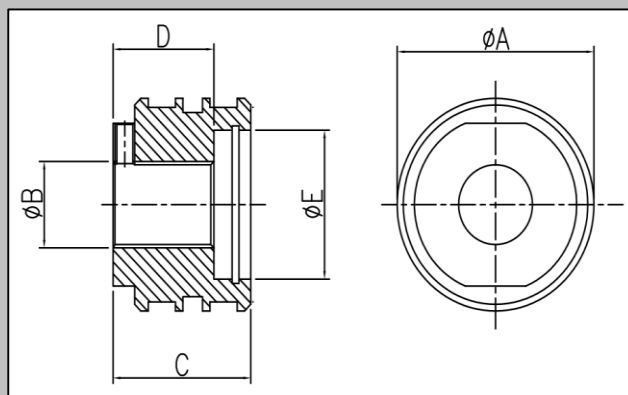


PISTONE PESANTE  
HEAVY PISTON

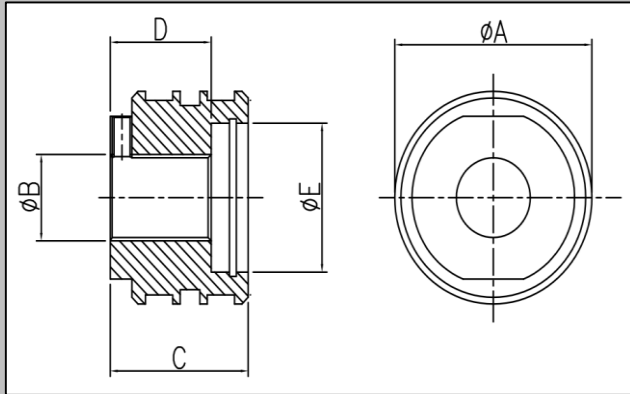


- MATERIALE Acciaio AVP/AVZ
- MATERIAL Steel AVP/AVZ

ALESAGGIO BORE	CODICE CODE	Ø A	B	C	D	Ø E
Ø 80	PIS804056P	80	M 30x2	56	41	40
Ø 90	PIS903855P	90	M 36x3	55	40	38
	PIS904056P	90	M 36x3	56	41	40
Ø 100	PIS1003556	100	M 33x2	56	41	35
	PIS1004556	100	M 42x2	56	41	45
Ø 110	PIS1105070P	110	M 48x3	70	55	50
Ø 120	PIS1204570P	120	M 42x2	70	55	45
	PIS1205070P	120	M 48x3	70	55	50
Ø 125	PIS1255170P	125	M 48x3	70	55	51
Ø 140	PIS1405075P	140	M 48x3	75	57	50



# PISTONE PESANTE HEAVY PISTON



- MATERIALE **Acciaio AVP/AVZ**
- MATERIAL **Steel AVP/AVZ**

ALESAGGIO BORE	CODICE CODE	$\varnothing A$	B	C	D	$\varnothing E$
$\varnothing 150$	PIS1505680P	150	M 52x3	80	60	56
$\varnothing 160$	PIS1605680P	160	M 52x3	80	60	56
$\varnothing 180$	PIS1808590P	180	M 80x2	90	65	85
$\varnothing 200$	PIS2008590P	200	M 80x2	90	65	85
$\varnothing 220$	PIS2208590P	220	M 80x2	90	65	85
$\varnothing 250$	PIS250104100P	250	M 98x2	100	75	104