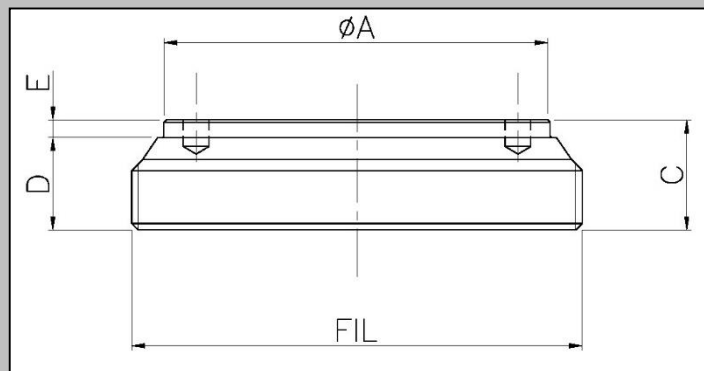




# FONDELLI FILETTATI THREADED END PLUG



- MATERIALE Acciaio FE510
- MATERIAL Steel FE510

CODICE CODE	Ø A	FIL	C	Ø D	E	PESO WEIGHT kg.
FD80F85	70	M 85x2	22	18	4	0,86
FD90F95	80	M 95x2	25	21	4	1,24
FD100F105	90	M 105x2	25	21	4	1,22
FD110F115	100	M 115x2	25	21	4	1,84
FD120F125	110	M 125x2	30	25	5	2,65
FD130F135	120	M 135x2	30	26	4	3,14
FD140F145	130	M 145x2	30	26	4	3,65
FD150F155	140	M 155x2	30	26	4	4,18
FD160F165	145	M 165x2.5	35	29	6	5,38
FD170F175	155	M 175x2.5	35	29	6	6,1
FD180F185	165	M 185x2.5	35	29	6	6,8
FD200F205	185	M 205x2.5	48	41	7	11,57
FD250F255	235	M 255x2.5	48	41	7	18,00