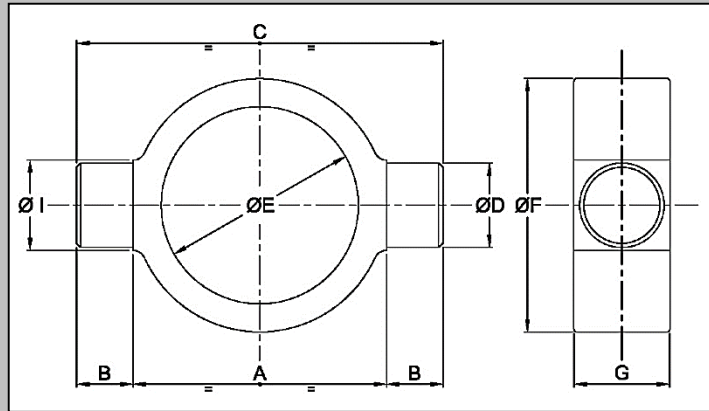




COLLARI SALDABILI WELDABLE TRUNNIONS



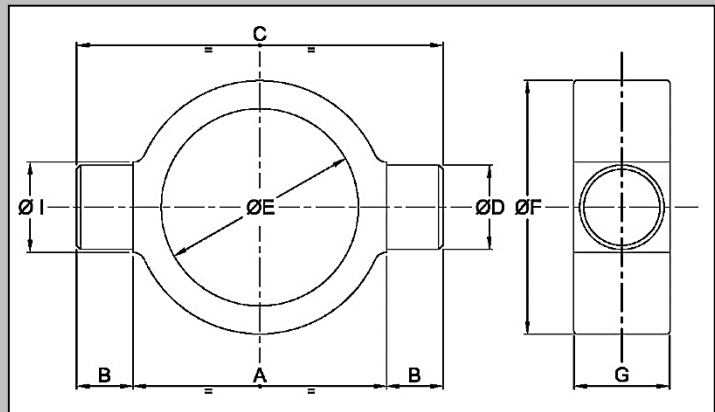
- MATERIALE ST 52
- MATERIAL ST 52

CODICE	Ø D	Ø E	A	B	C	Ø F	G	Ø I
CL3040	15	40	60	17,5	95	52	25	20
CL3545	20	45	60	15	90	60	24	22
CL4050	25	50	65	15	95	65	29	27
CL4050C	20	50	70	20	110	65	30	30
CL5060	30	60	75	20	115	75	34	32
CL5060C	25	60	80	25	130	75	35	35
CL5565	30	65	80	20	120	80	34	32
CL6070	30	70	90	20	130	90	34	32
CL6070C	30	70	100	30	160	90	45	40
CL6373	35	73	95	25	145	95	44	42
CL6575	35	75	100	25	150	100	44	42
CL6580	35	80	100	25	150	100	44	42
CL7080	40	80	105	30	165	105	54	52
CL7080C	35	80	110	35	180	100	50	50
CL7085	40	85	105	30	165	105	54	52
CL8090	45	90	120	35	190	120	58	56
CL8092	40	95	115	40	195	115	55	55
CL8095	45	95	120	35	190	120	58	56

COLLARI SALDABILI WELDABLE TRUNNIONS



- MATERIALE ST 52
- MATERIAL ST 52



CODICE	ϕD	ϕE	A	B	C	ϕF	G	ϕI
CL8095C	40	95	115	40	195	115	55	55
CL90100	45	100	130	35	200	130	58	56
CL90105	45	105	130	35	200	130	58	56
CL90105C	45	105	125	45	215	125	60	60
CL100115	50	115	145	40	225	145	68	66
CL100115C	50	115	145	50	245	145	70	70
CL100120	50	120	145	40	225	145	68	66
CL110125	50	125	155	40	235	155	68	66
CL110130	50	130	155	40	235	155	68	66
CL120135	55	135	170	45	260	170	80	80
CL120140	55	140	170	45	260	170	80	80
CL125140	55	140	175	45	265	175	80	80
CL125145	55	145	175	45	265	175	80	80
CL130145	60	145	180	45	270	180	80	80
CL130150	60	150	180	45	270	180	80	80
CL140160	65	160	200	50	300	200	100	100
CL140160C	70	160	195	55	305	187	90	90
CL150170	65	170	210	50	310	210	100	100
CL160180	70	180	220	55	330	220	110	110